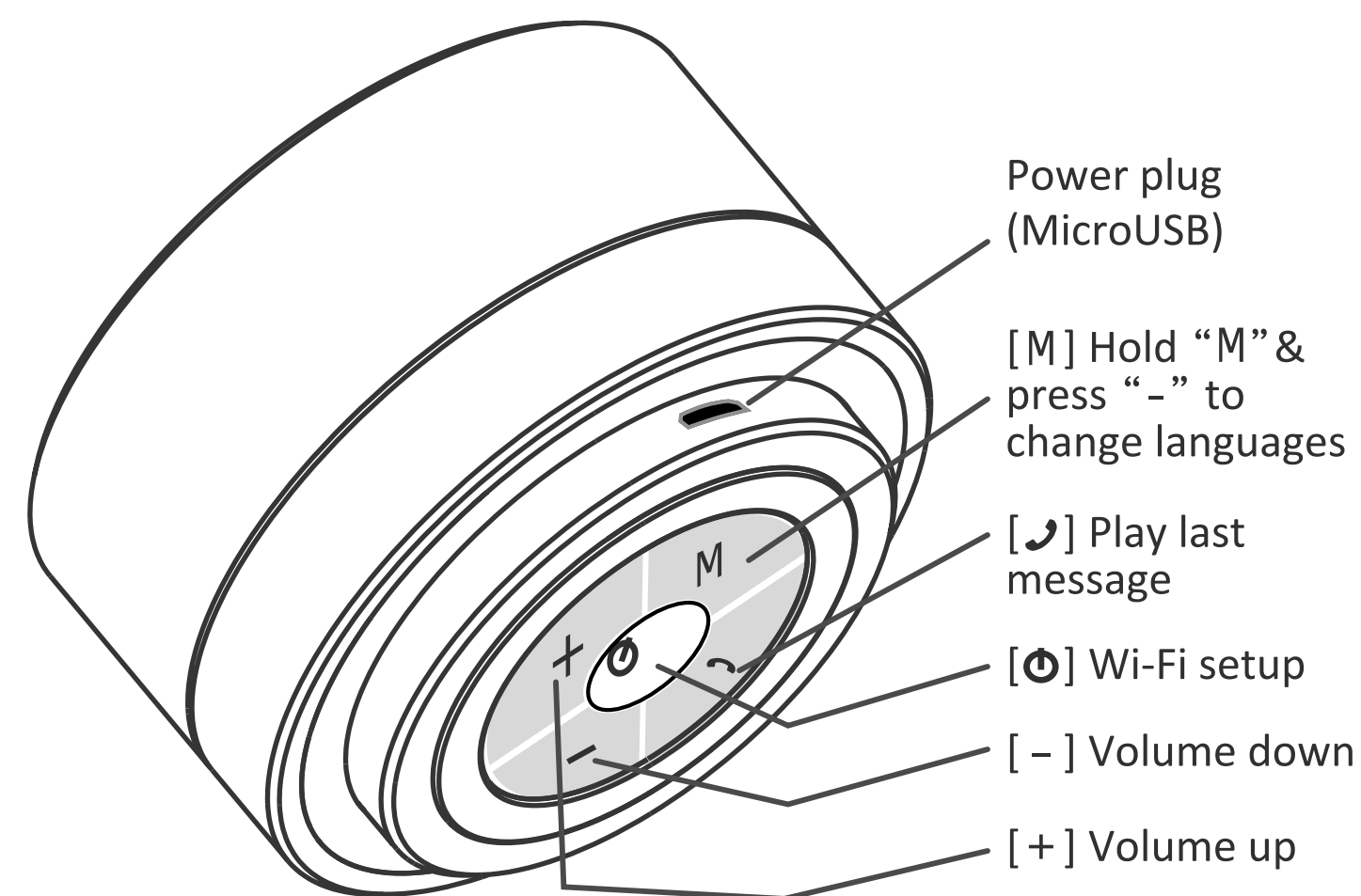
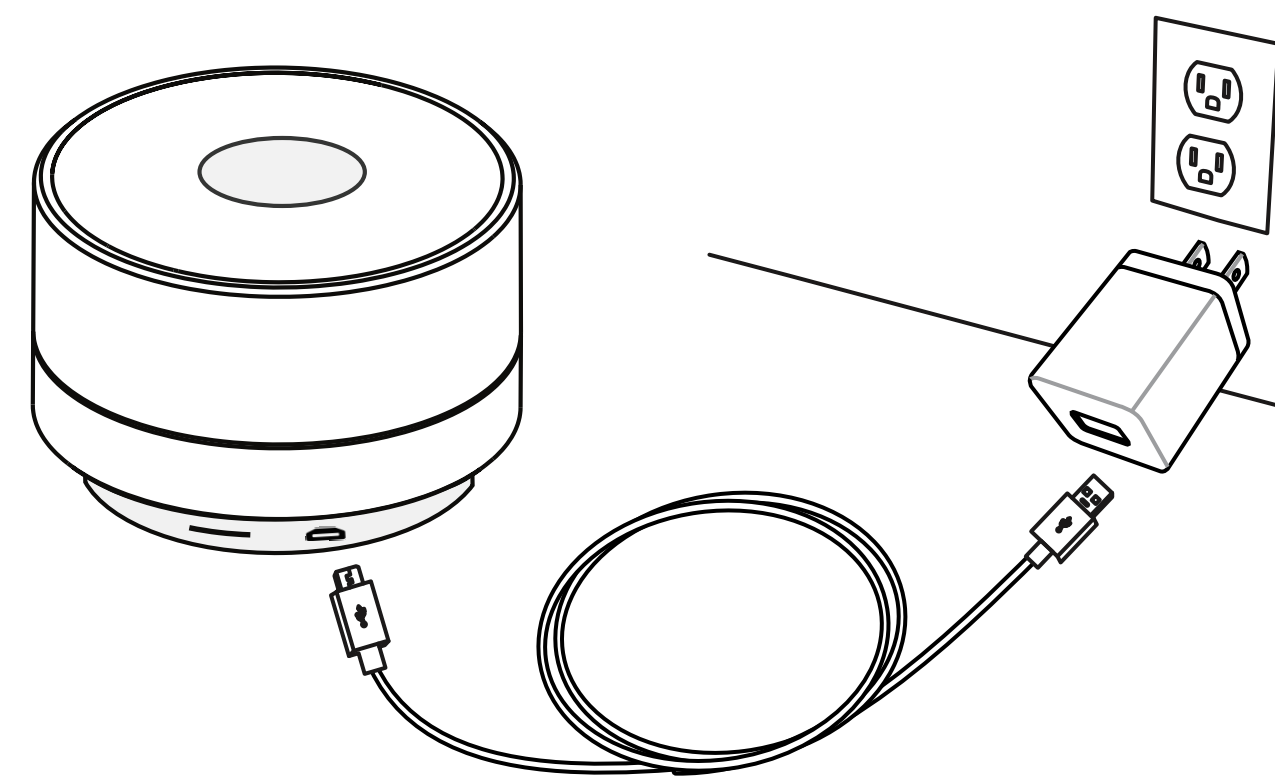


Getting to know Tochie



1. Plug in Tochie

Plug the micro-USB cable and adapter provided into Tochie then to a power outlet.



Device needs to be plugged into power at all times.

2. Download the Tochie App from the App Store using your Smartphone

Download the free Tochie App to your phone from  or .

3. Create User Account

Create user account on Mobile App; add Tochie device to your account.

4. Tochie Setup

Go to Tochie App Settings on your mobile phone which will guide you through the Wi-Fi setup for Tochie.

Need help

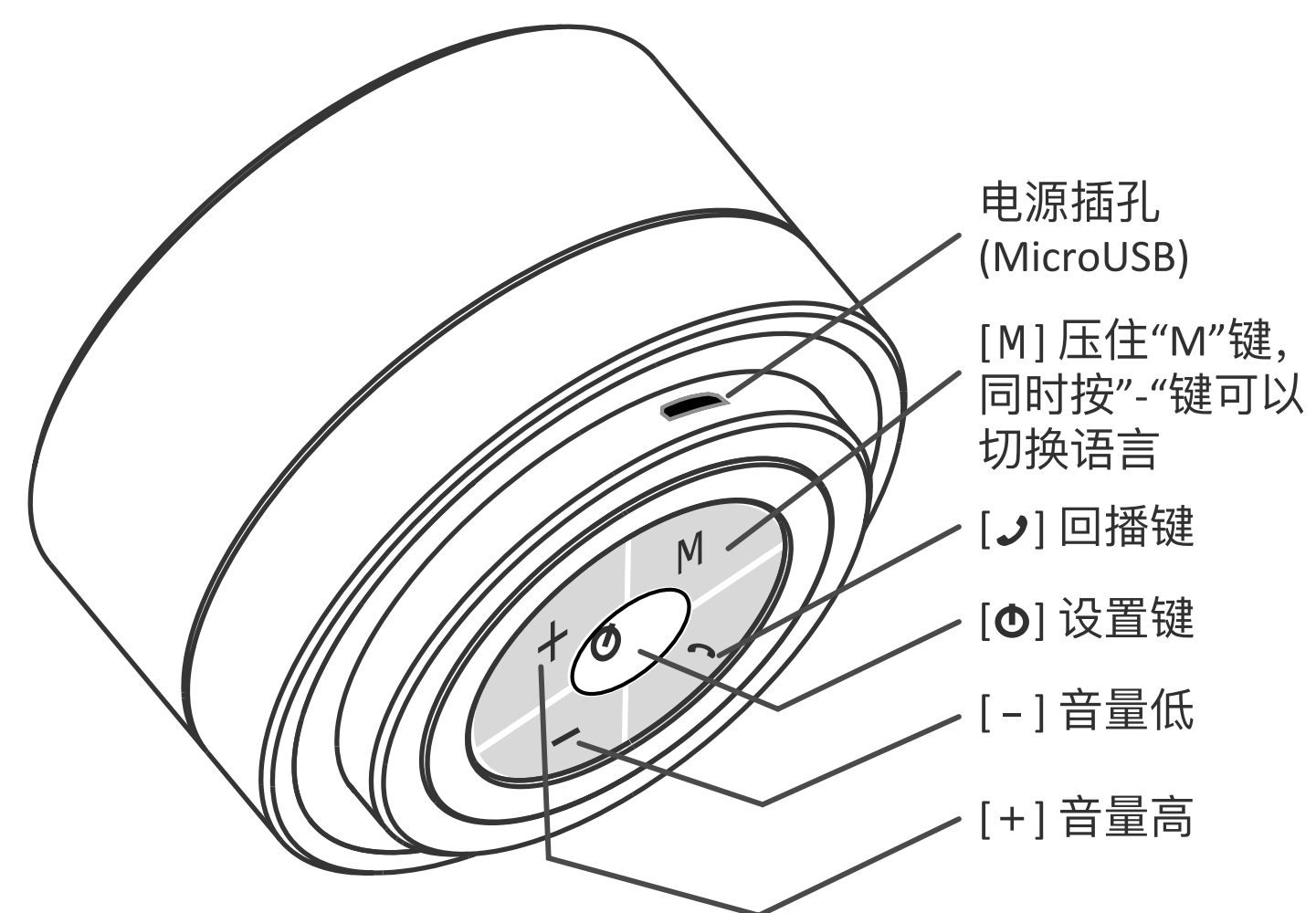
Go to the Help section in Settings. Watch the other Tochtech products and tutorials at vimeo.com:



Quick tips:

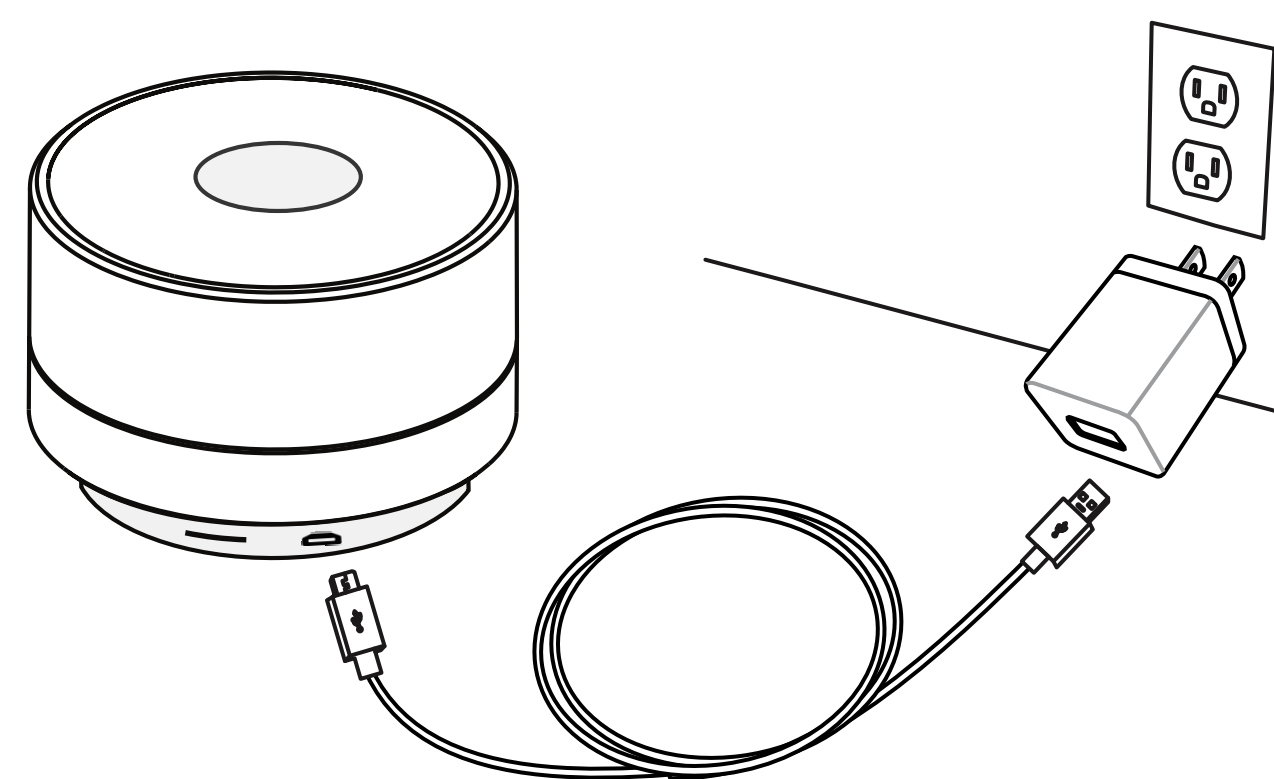
- Press "M" button to play the unconfirmed messages in the last 24 hours.
- Double tap Tochie to confirm received message.
- Double tap can also play the last message. This can be enabled in Settings.

Tochie 功能键



1. 连接电源

使用包装盒内提供的USB电源线及电源插头, 按下图连接好电源



无内置电池, 需要一直连外接电源。

2. 下载Tochie手机应用

在  或者  小米应用商店 下载免费的Tochie手机应用

3. 创建用户帐号

使用手机APP创建新用户账号, 并且添加您的设备

4. 设置Wi-Fi

按照Tochie手机APP中的指导设置Wi-Fi连接

小贴士:

- 按压"M" 键播放在过去24小时内未确认的信息
- 双击设备确认收到的语音信息
- 在设置中可以开启双击设备重复播放功能

Technical Specifications

Connectivity	Wi-Fi (2.4 GHz)
Power	MicroUSB 5V
Speaker	Built-in speaker, 3W
Material	Aluminum alloy
Dimension	71 mm diameter x 48 mm height
Weight	200 g
System Requirements	Smart phone App is compatible with iOS 11 above and Android.

Led Indicators:

Blue light flashing slowly:

Tochie is not connected to a Wi-Fi network

Blue light flashing quickly:

Tochie is ready for Wi-Fi Setup

Blue light on:

Tochie is connected to a Wi-Fi network

Contact us:

Please contact support@tochtech.com for customer support

Warranty Statement

One (1) Year Limited Warranty

Tochtech Technologies Ltd (“Tochtech”) warrants this product (“The Product”) against defects in materials and workmanship when used normally in accordance with Tochtech’s published guidelines for a period of ONE (1) YEAR from the date of original retail purchase by the end user purchaser (“Warranty Period”). Tochtech’s published guidelines includes but not limited to information contained in the technical specifications, safety instructions or quick start guide. Tochtech does not warrant that the operation of the Product will be uninterrupted or error-free. Tochtech is not responsible for damage arising from failure to follow instructions relating to the Tochtech Product’s use or other external cause such as earthquake, floods, accident, fire etc.

©2019 Tochtech Technologies

tochie



技术参数

连接方式	Wi-Fi (2.4 GHz)
电源	MicroUSB 5V
扬声器	内置3W扬声器
外壳材料	铝合金
体积	直径71mm, 高48mm
重量	200g
系统要求	智能手机兼容 iOS 或安卓手机应用

指示灯:

蓝灯慢闪:

设备没有连接到网络

蓝灯快闪:

设备等待连接网络

蓝灯亮:

设备连接网络正常

联系我们:

需要技术支持请联系 support@tochtech.com

保修声明

(1) 年有限保修

Tochtech Technologies Ltd (“Tochtech”) 保证本产品 (“产品”) 自用户零售购买之日起一 (1) 年内正常使用下的材料和工艺缺陷相关的原厂有限保修。用户正常使用包括非人为损坏以及按照Tochtech发布的用户指南或者其它形式发布的技术资料使用。Tochtech已发布的指南包括但不限于技术规范, 安全说明或快速用户指南中包含的信息。Tochtech不保证产品的操作不会中断或没有错误。对于未遵循与Tochtech产品使用相关的说明而导致的损坏, 或者自然灾害引起的损坏, Tochtech不承担任何责任。

©2019 Tochtech Technologies

tochie

